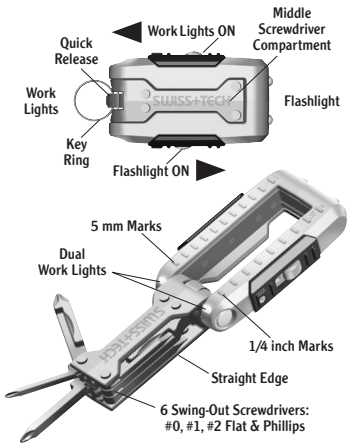


SWISS+TECH®

First in Key Ring Products™



Transformer™ Xi 12-in-1



Patent pendings. Made in China.
SWISS+TECH® is a registered trademark, and
First in Key Ring Products™ and Transformer™
are trademarks of Crestwood Partners, LLC.

© 2008 Crestwood Partners, LLC
Cleveland, OH 44143 1-800-414-8799

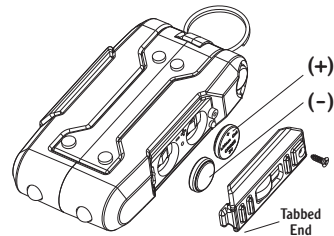
#74030 Rev. A

Using the 12-in-1

Transformer™ 12-in-1 ships with both the FLASHLIGHT and WORK LIGHT Switches in the Off Position. With both switches in the Off Position, the switch that slides TOWARD the Flashlight turns ON the Flashlight, while the switch that slides TOWARD the Work Lights turns ON the Work Lights.

To use one of the SIX SCREWDRIVERS, press with your thumb on the “TECH” end of the SWISS+TECH® logo to push out the Middle Screwdriver Compartment. Rotate the Middle Screwdriver Compartment out 180 degrees until it locks into place. This automatically releases the Transformer™ 12-in-1 from the Key Ring. Select one of the six screwdrivers and rotate it out 180 degrees until it snaps in place. To close, follow these instructions in reverse. Be sure to hook the Key Ring while closing the Middle Screwdriver Compartment.

12-in-1 Battery Replacement



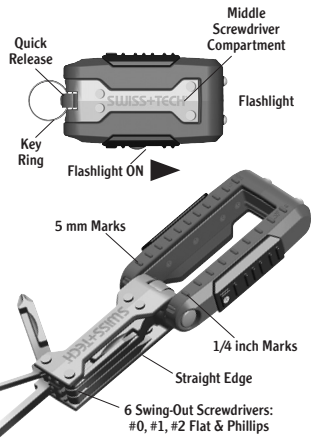
1. The batteries for the flashlight and work lights are under their On/Off switches. Using a small Phillips screwdriver, turn counterclockwise to remove the screw next to the switch that needs new batteries. Gently lift the Switch Assembly up and out to expose the Battery Compartment.

12-in-1 Battery Replacement

2. Remove old batteries.
3. Replace with two new CR1025 3V lithium batteries or equivalent, taking care to place the positive (+) or negative (-) side up as indicated.
4. Replace the Switch Assembly by first inserting the tabbed end into the slot. Replace the screw turning clockwise with a small Phillips screwdriver. Tighten gently.

DO NOT dispose of batteries in fire, batteries may explode or leak.

Transformer™ 11-in-1

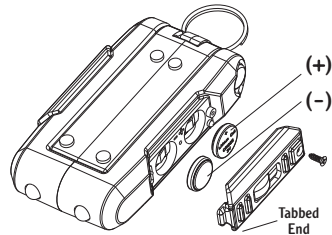


Using the 11-in-1

Transformer™ 11-in-1 ships with the FLASHLIGHT Switch in the Off Position. Slide the switch TOWARD the Flashlight End to turn it ON.

To use one of the SIX SCREWDRIVERS, press with your thumb on the “TECH” end of the SWISS+TECH® logo to push out the Middle Screwdriver Compartment. Rotate the Middle Screwdriver Compartment out 180 degrees until it locks into place. This automatically releases the Transformer™ 11-in-1 from the Key Ring. Select one of the six screwdrivers and rotate it out 180 degrees until it snaps in place. To close, follow these instructions in reverse. Be sure to hook the Key Ring while closing the Middle Screwdriver Compartment.

11-in-1 Battery Replacement



1. The batteries for the flashlight are under the On/Off switch. Using a small Phillips screwdriver, turn counterclockwise to remove the screw. Gently lift the Switch Assembly up and out to expose the Battery Compartment.

11-in-1 Battery Replacement

- 2.** Remove old batteries.
- 3.** Replace with two new CR1025 3V lithium batteries or equivalent, taking care to place the positive (+) or negative (-) side up as indicated.
- 4.** Replace the Switch Assembly by first inserting the tabbed end into the slot. Replace the screw turning clockwise with a small Phillips screwdriver. Tighten gently.

DO NOT dispose of batteries in fire, batteries may explode or leak.

SWISS+TECH® Limited LIFETIME Warranty

This product is covered by a Limited Lifetime Warranty to the original purchaser in that this product is free from defects in workmanship and materials. During the warranty period, this product will either be repaired or replaced with a product of equal or greater value, excluding any custom engraving or printing.

Damage through normal wear and tear (including battery expiration and surface coatings), repair or alteration, misuse, abuse, neglect, accident, improper storage and handling, fire, negligence, improper cleaning, circumstances not directly attributable to manufacturing defects, or act of God is not included.

THIS WARRANTY IS IN LIEU OF ALL OTHER WARRANTIES, EXPRESS OR IMPLIED, INCLUDING BUT NOT LIMITED TO, IMPLIED WARRANTY OF MERCHANTABILITY OR FITNESS FOR A PARTICULAR ISSUE.

This warranty gives you specific legal rights, and you may also have other rights which vary from state to state.

Simply return your SWISS+TECH® brand product postpaid and insured to: Swiss+Tech Products
701 Beta Drive, Unit 5
Cleveland, Ohio 44143

More information:

800.414.8799 or www.swisstechtools.com